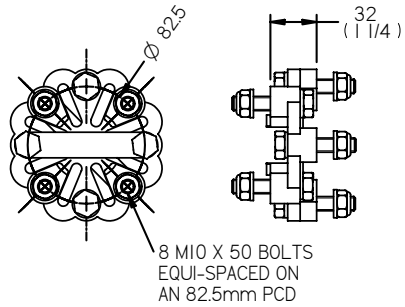
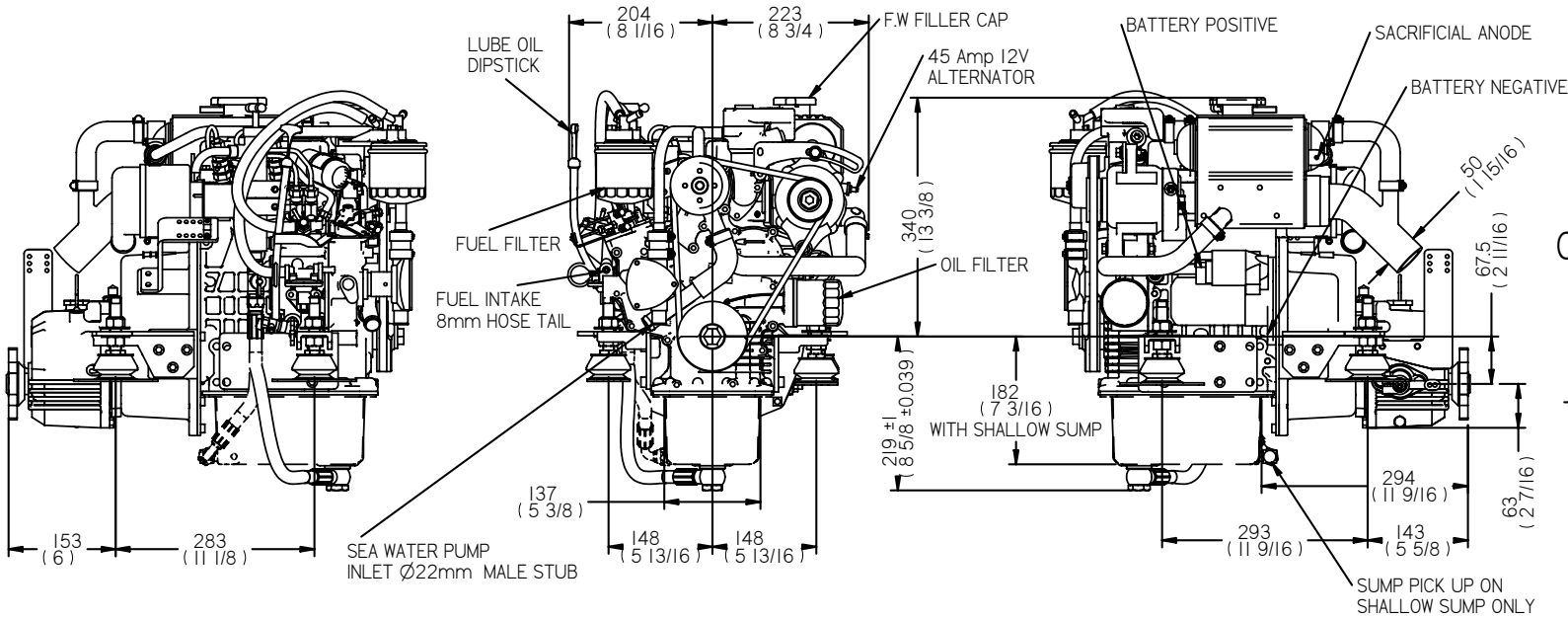
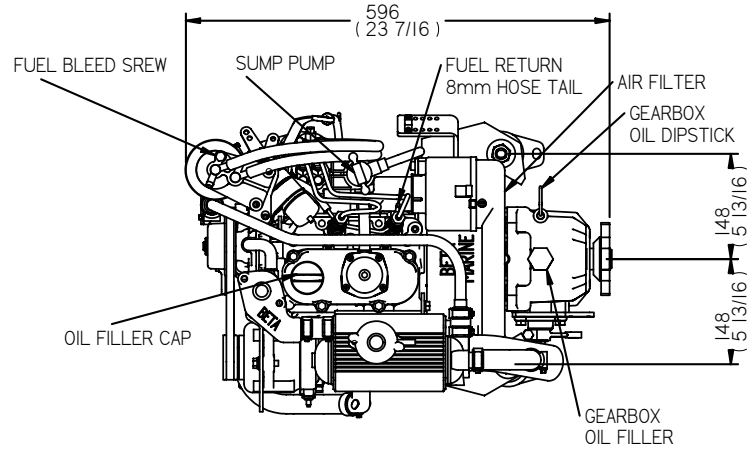
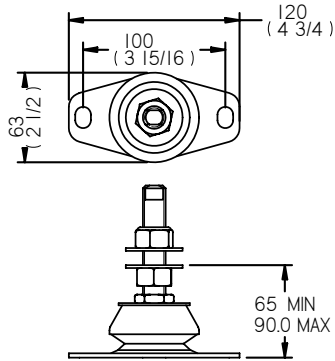


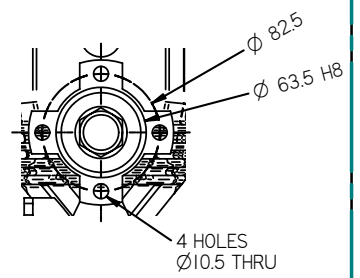
FLEXIBLE COUPLING DETAILS



FLEXIBLE MOUNT DETAILS



GEARBOX OUTPUT



REV	DESCRIPTION	DATE	APP'D	DRAWN
01				

NOTES Measurements are in: mm (Inch to the closest 1/16).

TITLE BETA 16 (BZ602) HEAT EXCHANGE TMC40 GEARBOX ATOMIC 4 FEET

DIMENSIONS IN MM (INCH) DO NOT SCALE



BETA MARINE LTD.
MERRETT'S MILLS,
BATH ROAD,
SOUTH WOODCHESTER,
STROUD, GLOS. GL5 5EU

DRAWN BY: TW	SIZE A4	DWG NO. 100-06696	REV 00
CHECKED BY:	SCALE	PAGE 1 of 1	DATE 09/01/2006

TEL: (01453) 835282 FAX: (01453) 835284